

# Series 800

- Fuel Dispensing (Consult Factory)
- Waste Oil Evacuation • Air/Water

**To handle 3/4" or 1" I.D. hose.**

- Rollformed channel frame for heavy-duty applications.
- Non-sparking ratchet assembly.
- Declutching arbor to prevent damage from reverse winding.
- Standard inlet: 90° balanced pressure swivel joint, 1" female NPT threads.
- Standard outlet: 1" female NPT threads.
- Standard pressures to 2000 psi (138 bar), available up to 6000 psi (414 bar) – must specify.
- Temperatures from -40°F to +250°F (-40°C to +121°C), optional temperatures to +400°F (+204°C) – must specify.
- 4-way roller assembly.
- SR and VR roller positions: swivel joint is standard on the right. TR roller positions: swivel joint is standard on the left. Other configurations available, must specify.
- Constant tension is available – consult factory.



Standard configuration shown

**PARTS DRAWING – ISO 42**

Model Number	Hose Capacity of Reel feet m			Approx. Weight lb. kg		Standard Roller Assy.	Reel Dimensions*** in. mm									
	I.D. in. mm	3/4 19	1 25	NET	SHIP		A	B	C	D	E	F	G	H	X	Y
	O.D. in. mm	1-9/32 33	1-9/16 40				11.25	9.25	11.25	13.25	13.25	13.25	13.25	13.25	13.25	13.25
†818-23-24-10.5J	60	50†	25†	87	122	R206	11.25	6	10.5	23.25	24.38	15.5	23.88	12.5	6.5	20
	15†	8†	39	55			286	152	267	591	619	394	607	318	165	508
816-25-26-10.5B	18	11	44	59		R204	9.25	4	10.5	25	26.12	13.5	25.88	13.5	4.5	21.75
	235	102	267	635	663		235	102	267	635	663	343	657	343	114	552
818-25-26-10.5B	21	15	46	62		R206	11.25	6	10.5	25	26.12	15.5	25.88	13.5	6.5	21.75
	286	152	267	635	663		286	152	267	635	663	394	657	343	165	552
820-25-26-10.5A	26	23	59	75		R308	13.25	8	10.5	25	27	18.25	25.88	13.5	8.5	21.75
	337	203	267	635	686		337	203	267	635	686	464	657	343	216	552
820-30-31-10.5A	–	100	137	172		R308	13.25	8	10.5	28.5	30.5	18.25	31.38	17	8.5	25.25
	–	30	62	78			337	203	267	724	775	464	797	432	216	641
820-30-31-15.5A	100	–	145	180		R308	13.25	8	15.5	28.5	30.5	18.25	31.38	17	8.5	25.25
	30	–	66	82			337	203	394	724	775	464	797	432	216	641

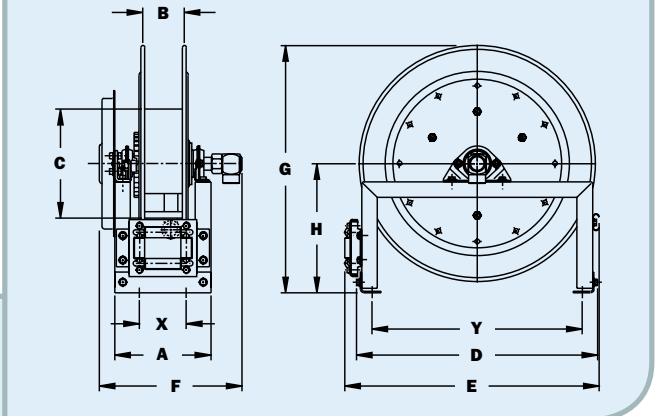
**Notes:**

**A hose stop is necessary to keep spring from unwinding.**

1. Specifications subject to change.
2. Reel models and capacities shown are for standard drag applications; for vertical lift applications, consult factory.
3. Other sizes, from standard components, available on request.
4. **Finish:** Refer to page 3.

5. Be sure to check dimensions and weights prior to ordering.

**NOTICE:** A flexible connector must be used between the inlet pipe and the inlet swivel joint. \*\*\* X, Y indicate mounting holes. See page 5. †Capacity based on low pressure air hose only.



**Available Roller Positions**

